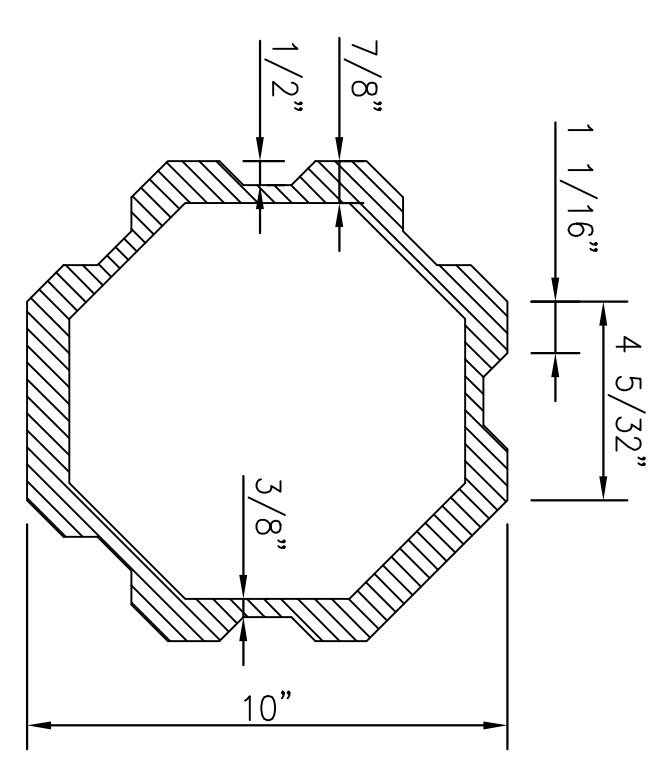
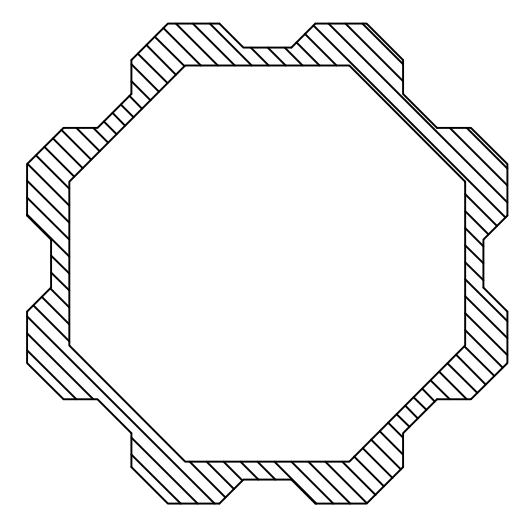


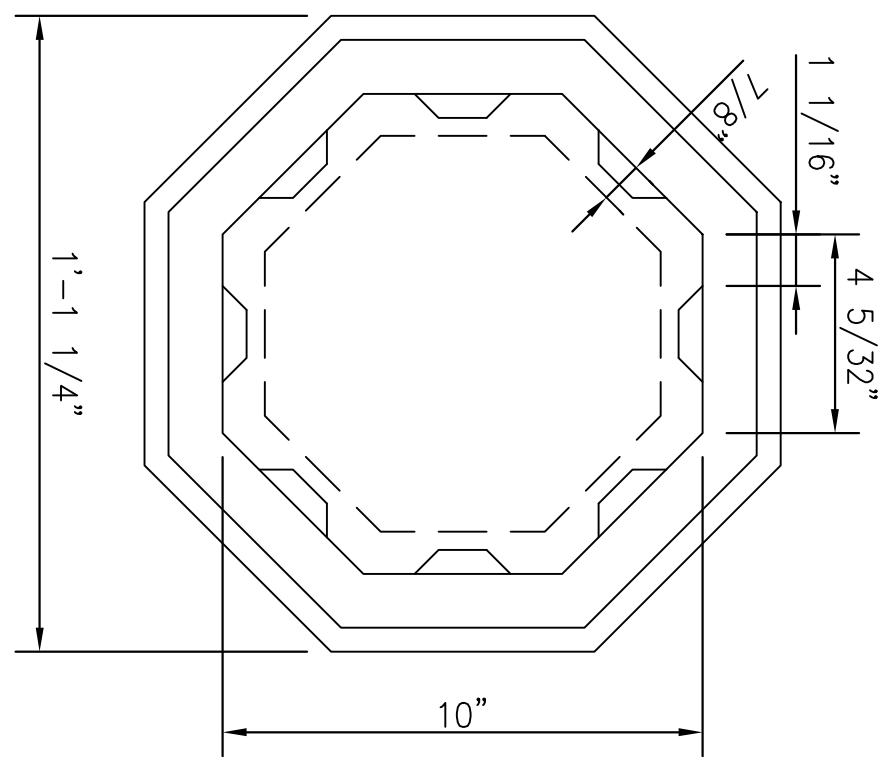
CAP DETAILS
SCALE: 3" = 1'-0"



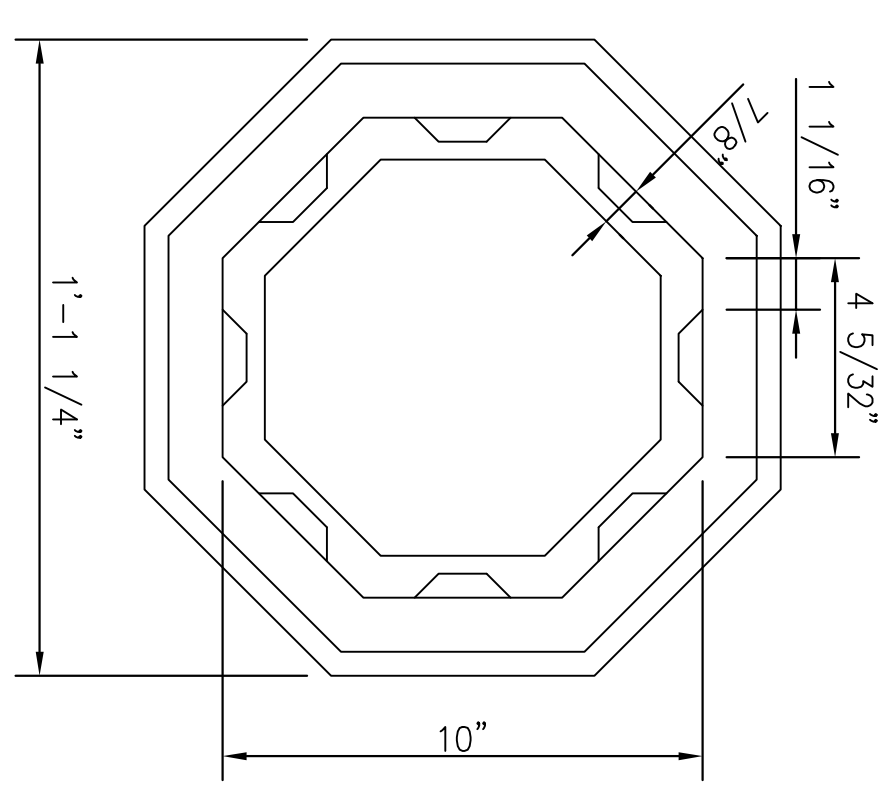
SECTION A-A
SCALE: 3" = 1'-0"



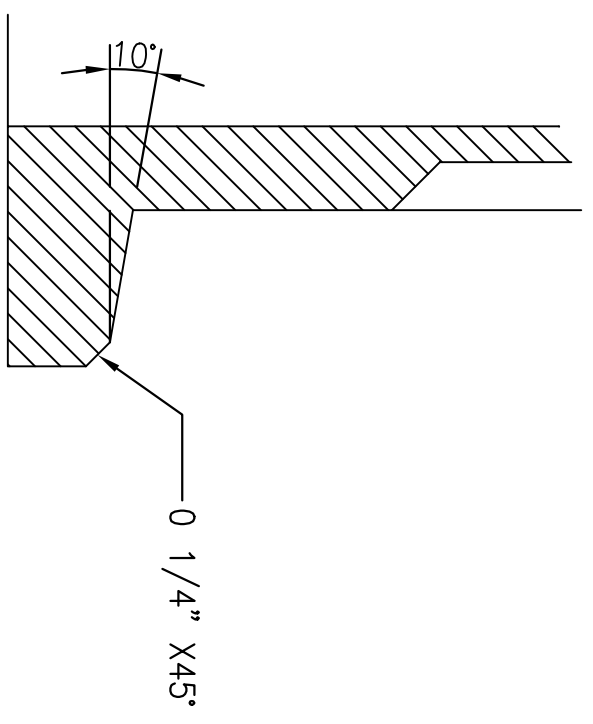
SECTION B-B
SCALE: 3" = 1'-0"



POST AND CAP ASSEMBLY
SCALE: 3" = 1'-0"



POST DETAILS
SCALE: 3" = 1'-0"



DETAIL-X
SCALE: 6" = 1'-0"

Material : Ductile Iron, ASTM A536, Grade 65-45-12
Specification : ASTM A536-84
Standard Specification for Ductile Iron Castings

REF DWG		ISSUED TO		PROJECT		SCALE		ISS NO		LOC		REVISIONS (INDICATED BY 1 Δ)		BY		DATE		APP		TITLE		REV.	
Illinois Cast Iron Fructors Corporation 39466 Parkway Parkway Eburne, IL 60119		Illinois Department of Transportation, Wilson Street		3" = 1'-0"		Post and Cap Castings		M1		A													